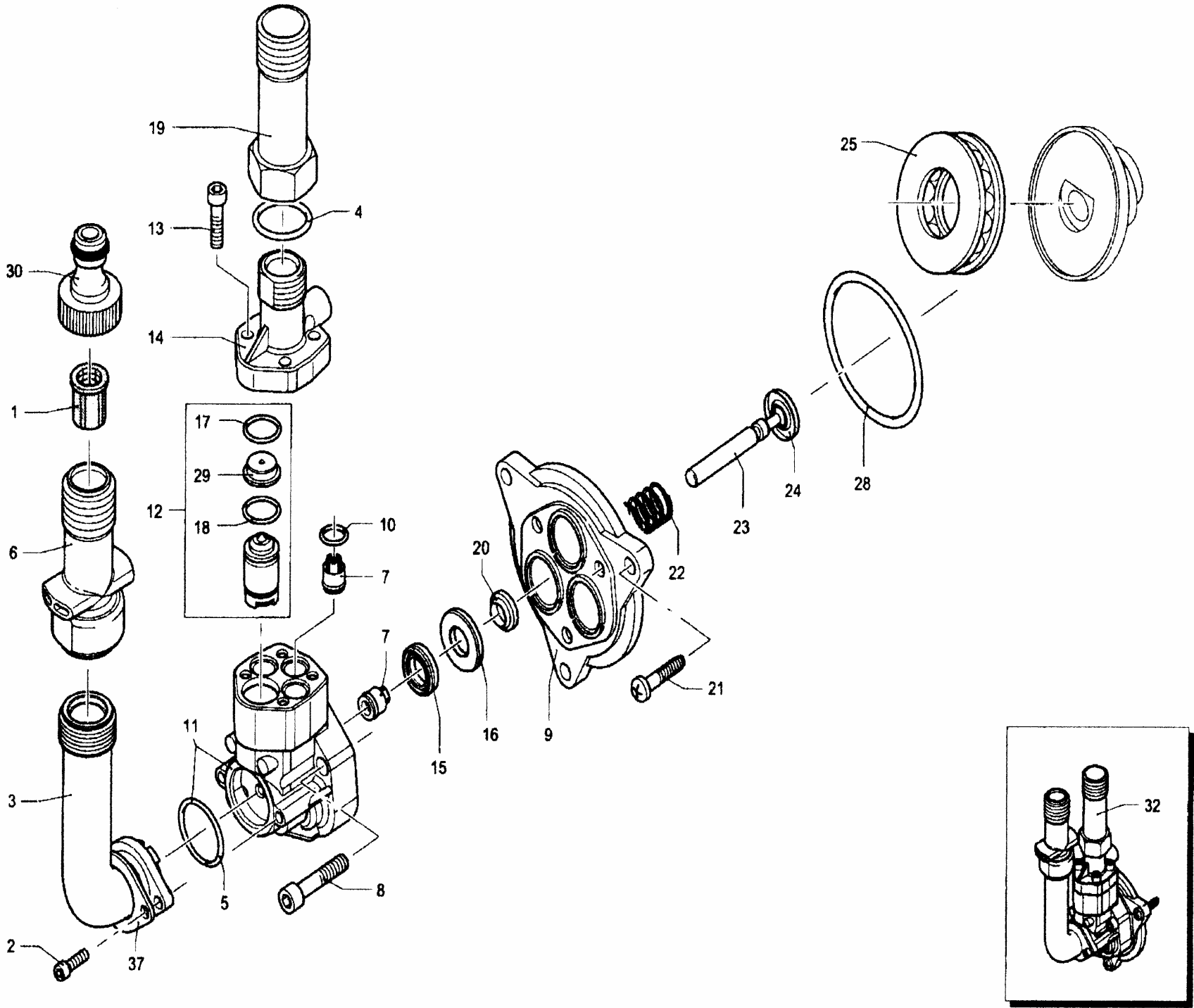
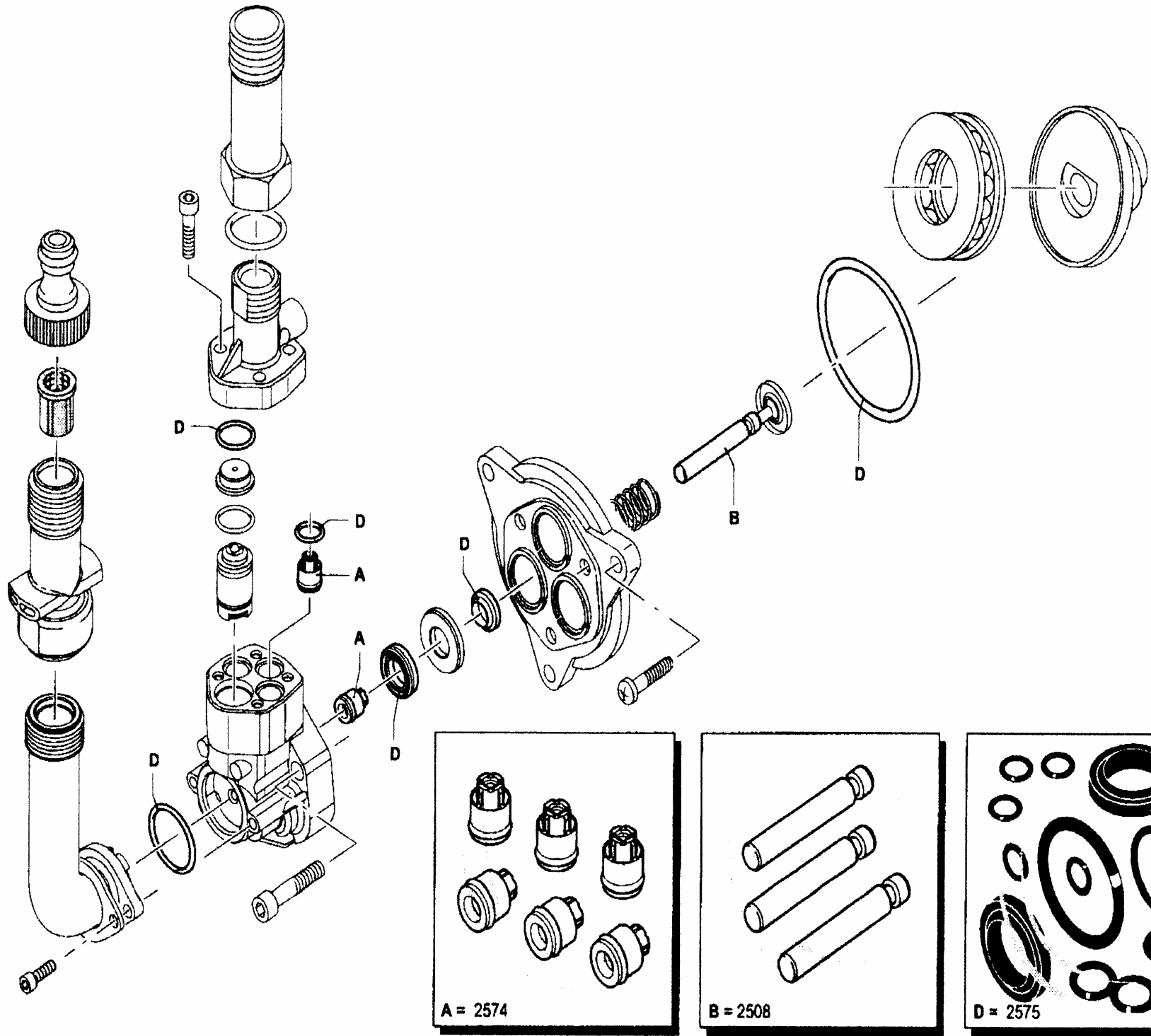


RHP-3710
 PRESSURE WASHER - FIG 1

RHP-3710 PRESSURE WASHER - FIG 2



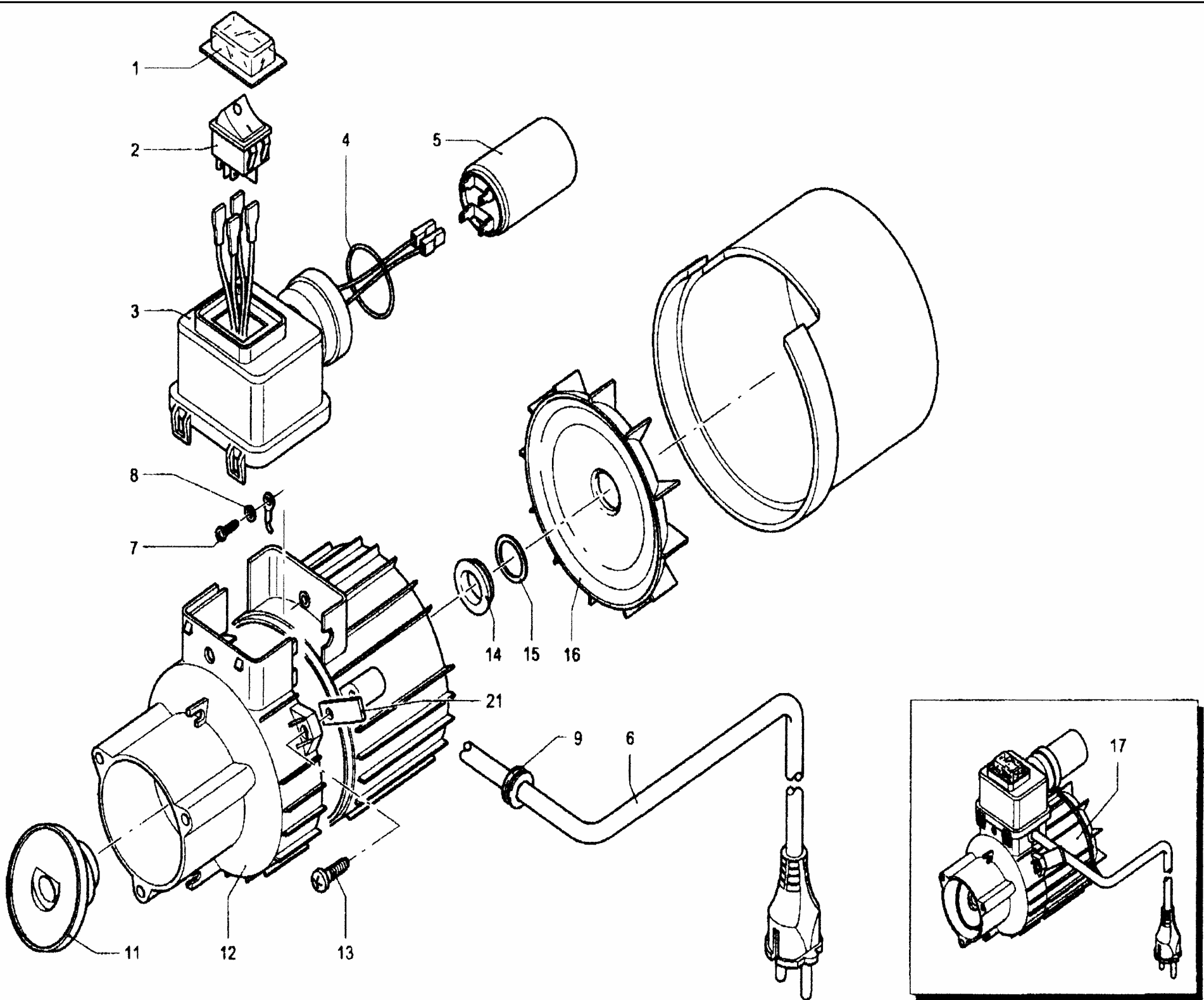


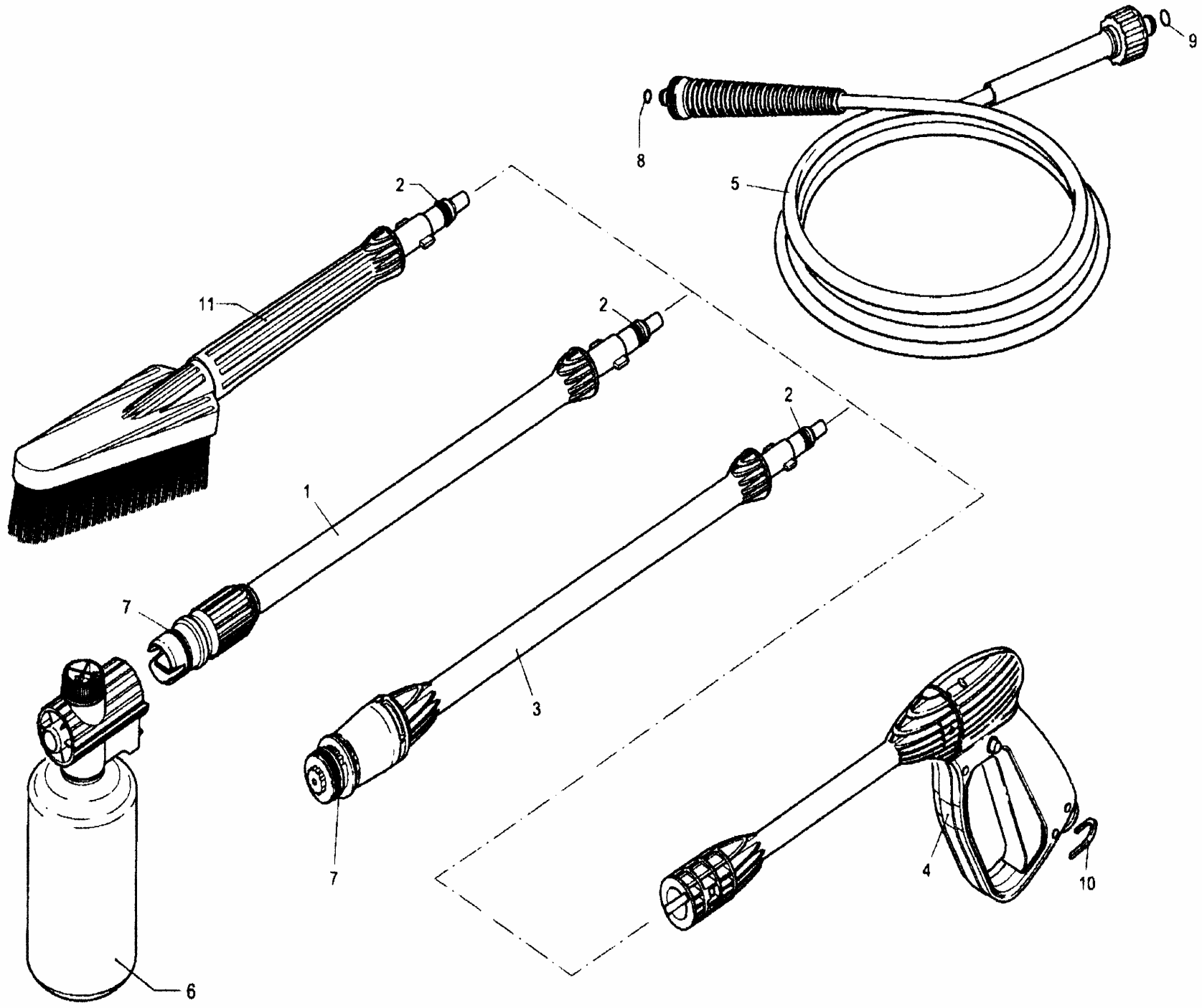
PRESSURE WASHER - FIG 3

RHP-3710

RHP-3710

PRESSURE WASHER - FIG 4





RHP-3710
PRESSURE WASHER - FIG 5

RHP-3710 PRESSURE WASHER - FIG 1

ITEM NO	PART NO	DESCRIPTION	R.R.P.
1	2440041	Ant. casing	£7.11
2	2440030	Handle	£4.27
3	2440070	Driven gear	£1.38
4	2440020	Left casing	£9.43
5	2100300	Screw	£0.05
6	2440150	Accessories guide	£0.76
7	2100070	Conveyor	£0.86
8	2440120	Bracket	£1.79
9	2440170	Accessories carrier	£4.61
10	2440010	Right casing	£9.43
14	2180740	Ring nut	£0.69

PRESSURE WASHER - FIG 2

1	1340260	Water suction filter	£0.71
2	2101000	Screw	£0.08
3	2100630	Suction fitting	£1.05
4	390180	O-ring	£0.05
5	550350	O-ring	£0.13
6	2440200	Extension	£1.17
7	2109050	Complete valve	£0.48
8	850850	Screw	£0.27
9	2100030	Piston guide	£3.56
10	880840	O-ring	£0.04
11	2122	Pump head + O Ring	£7.79
12	2109011	Safety valve	£1.92
13	1260760	Screw	£0.04
14	2100790	Outlet fitting	£3.70
15	2200140	Gasket	£0.52
16	2020040	Gasket support ring	£0.21
17	394280	O-ring	£0.14
18	820510	O-ring	£0.04
19	2440210	Extension	£6.68
20	1683500	Seal ring	£0.71
21	2100960	Screw	£0.07
22	2020150	Spring	£0.36
23	2100130	Piston	£2.41
24	2020140	Spring plate	£0.13
25	2021570	Bearing	£3.23
28	2100190	O-ring	£0.21
29	2020390	Valve seat	£0.53
30	1461470	Attachment for tap + gasket	£1.25
32	2109407	Pump assembly	£60.26
37	2101450	inlet fitting plate	£0.33

