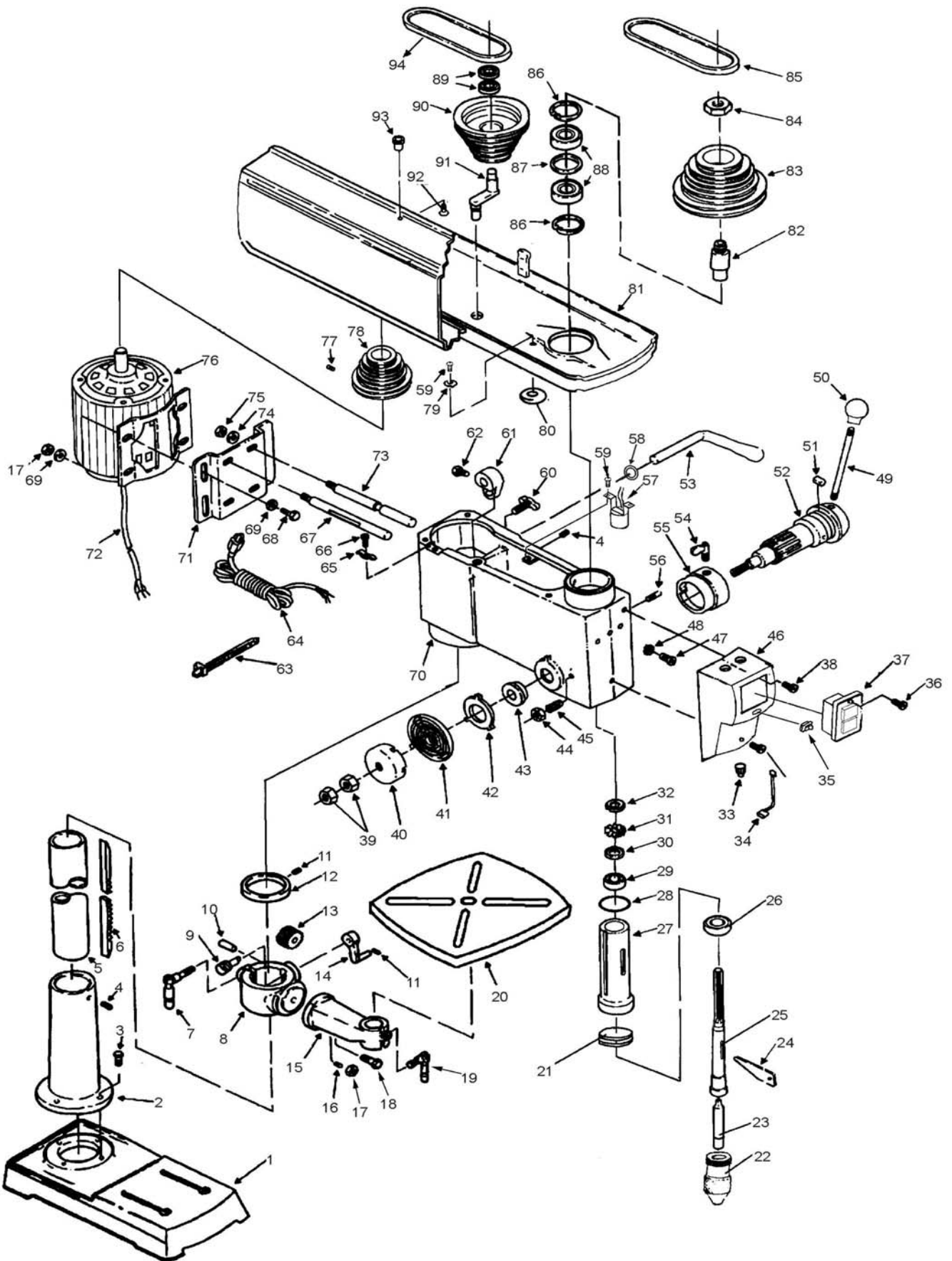


# RDP-5016S Drill Press



# RDP-5016S Drill Press

ITEM NO	PART NO	DESCRIPTION	R.R.P.
1	13201001A	Base	£7.88
2	13201002	Base Column	£1.68
3	TDP10B0701	Screw-Hex HD	£0.32
5	13201003A	Tube Column	£7.35
6	13201010A	Rack	£2.94
7	16101013A	Clamp column	£0.63
8	13201004	Table support	£3.99
9	13201008	Worm-Elevation	£1.05
10	13201007	Shaft Gear	£0.11
11	TDP10B0710	Screw-Set	£0.11
12	13201011C	Column collar	£1.47
13	13201006	Worm Gear	£0.84
14	16101009A	Table Crank Handle	£0.74
17	TDP10B0601	Nut-Hex	£0.21
18	TDP10B0702	Screw-Hex HD	£0.11
20	13201014D	Table	£4.83
22	16103009D	Chuck	£38.03
23	16103007A	Arbor	£1.79
24	16103008	Key-drift	£0.53
25	13203001D	Shaft Spindle	£5.36
26	TDP10B0201	Bearing ball	£3.57
27	13203002E	Tube-quill	£4.10
28	13303006	Gasket-quill	£0.11
29	TDP10B0202	Bearing Ball	£1.58
31	TDP10B1501	Ring-Locking	£0.11
36	TDP10B0707	Screw-Pan HD	£0.11
37	KJD20	Switch	£3.68
38	TDP10B0704	Screw-Pan HD	£0.32
39	TDP10B0603	Nut-Hex	£0.21
40	13104008	Cap spring	£0.42
41	13104009	Spring-Torsion	£0.42
42	13104007	Retaining-spring	£0.11
43	13204006	Seat-spring	£0.32
44	TDP10B0604	Nut-Hex	£0.11
45	13202021A	Screw-Set Special	£1.37
46	13202008B	Switch box	£0.84
47	TDP10B0705	Screw-Pan Hd	£0.11
48	TDP10B1101	Lock washer-Ext	£0.11
49	13204005A	Feed Handle	£0.42
50	13304011C	Knob	£0.53
52	13304001	Hub	£5.36
53	13204002B	Shaft-pinion	£5.36
54	16104012	Scale Set Handle	£0.21
55	13304003	Ring-depth stop	£0.84
56	16104010	Pin stop	£0.11
59	TDP10B0708	Screw-RD HD Washer	£0.21
60	13102005B	Knob-motor adjust	£0.21
63	16102017	Tie-wire	£0.53
64	13302015*	Power cord(UK)	£4.52
	13302015C	Power cord(EUROPE)	£3.05
65	16102014	Cord clamp	£3.05

